

WALLENSTEIN

BY EMB MFG INC.

BX52S ASSEMBLY INSTRUCTION MANUAL

Please review and understand the operators manual before attempting to operate this machinery.

Please Read and understand the Assembly Manual and all safety signs before starting.

EMB MANUFACTURING INC.

**4144 BOOMER LINE
ST. CLEMENTS, ON
N0B 2M0 CANADA
PH: (519) 699-9283
FAX: (519) 699-4146**



Refer to the operators
manual for safe
operation and
maintenance

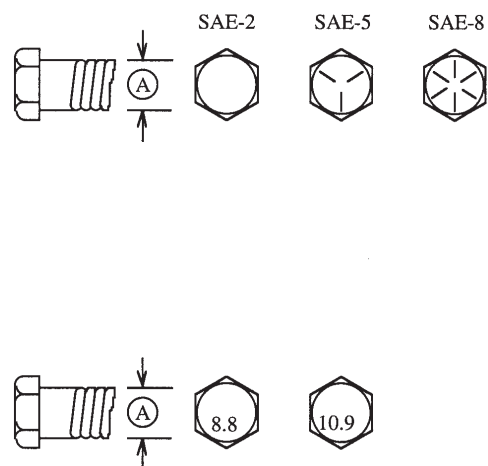
1.0 ASSEMBLY SAFETY

1. Read and understand the Assembly Manual and all safety signs before starting.
2. Follow good safety practices:
 - Keep service area clean and dry.
 - Be sure electrical outlets and tools are properly grounded.
 - Use adequate light for the job at hand.
3. Use properly sized tools, stands, jacks and hoists at all times.
4. Don't handle heavy and/or bulky components alone, ask for help.
5. Position in a large open area to allow access from all sides during assembly.
6. Keep the assembly area neat and clean to prevent slipping or tripping.
7. When using lifting equipment, place jack stands under the machine to securely stabilize it before working on, beside or under it during assembly.
8. Stay away from overhead power lines and obstructions when lifting the machine during assembly. Contact with power lines can cause electrocution. Contact with obstructions can damage components or cause them to fail.
9. Tighten all fasteners to their specified torque, then recheck before using the machine.

2.0 BOLT TORQUE

ENGLISH TORQUE SPECIFICATIONS

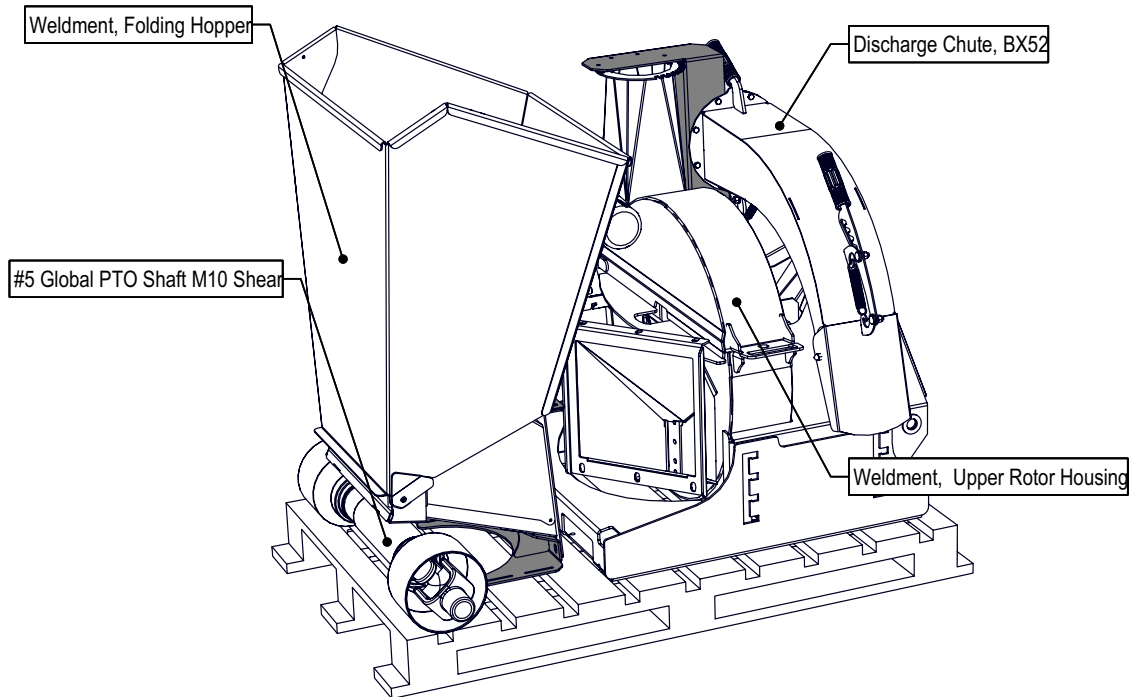
Bolt Diameter "A"	Bolt Torque*					
	SAE 2 (N.m) (lb-ft)		SAE 5 (N.m) (lb-ft)		SAE 8 (N.m) (lb-ft)	
1/4"	8	6	12	9	17	12
5/16"	13	10	25	19	36	27
3/8"	27	20	45	33	63	45
7/16"	41	30	72	53	100	75
1/2"	61	45	110	80	155	115
9/16"	95	60	155	115	220	165
5/8"	128	95	215	160	305	220
3/4"	225	165	390	290	540	400
7/8"	230	170	570	420	880	650
1"	345	225	850	630	1320	970



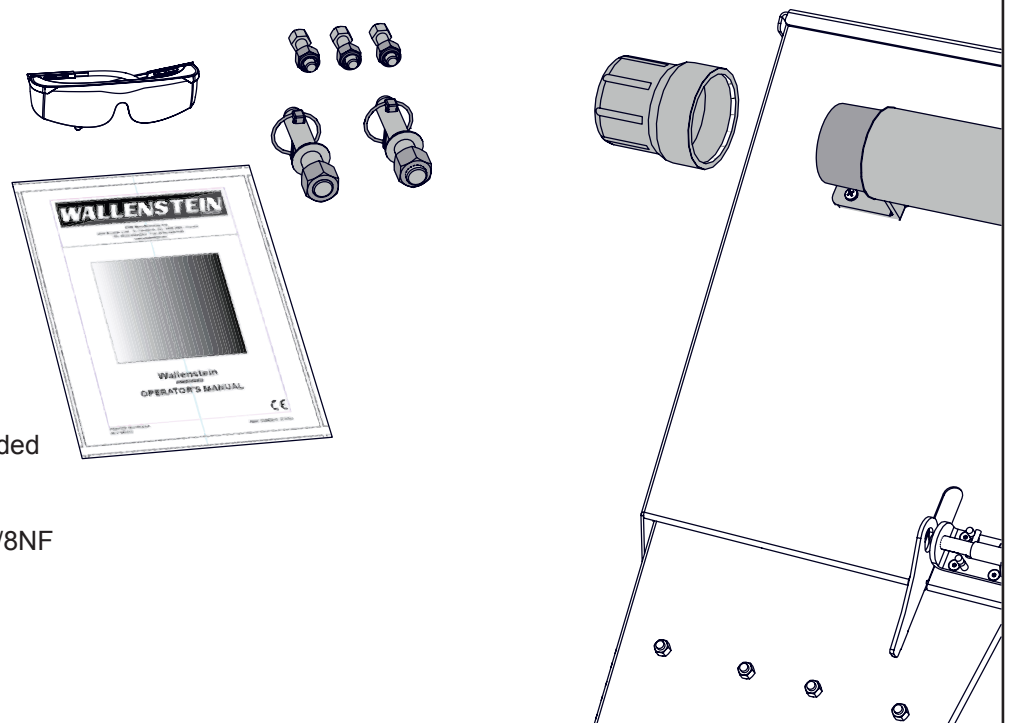
Torque figures indicated above are valid for non-greased or non-oiled threads and heads unless otherwise specified. Therefore, do not grease or oil bolts or caps crews unless otherwise specified in this manual. When using locking elements, increase torque values by 5%.

* Torque value for bolts and capscrews are identified by their head markings.

3.0 MAIN COMPONENTS



4.0 CONTENTS OF MANUAL TUBE



Check that the following items are included inside the manual tube:

- Operators Manual
- 2 x Implement Pin, 7/8" x 1-3/4" x 7/8NF
- 2 x Hex Lock Nut, 7/8NF
- 2 x Lynch Pin, 7/16"
- 3 x Spare M10 Shear Pins
- 1 x Safety Glasses

5.0 ASSEMBLY

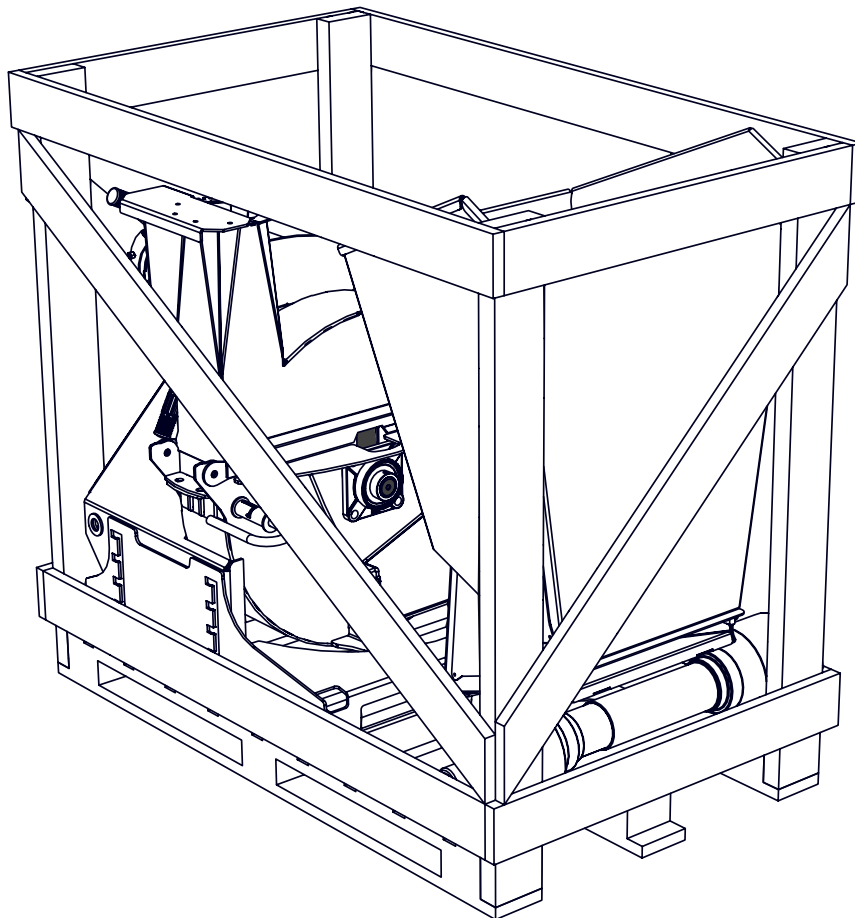
This assembly manual is for the BX52S Chipper.

The machine is shipped from the factory in a partially disassembled configuration and attached to a pallet that provides easy moving and handling. Always use tools, equipment and fork lifts of appropriate size and capacity for the job.

Inspect for damage from shipping, immediately contact the shipping company if damage is found.

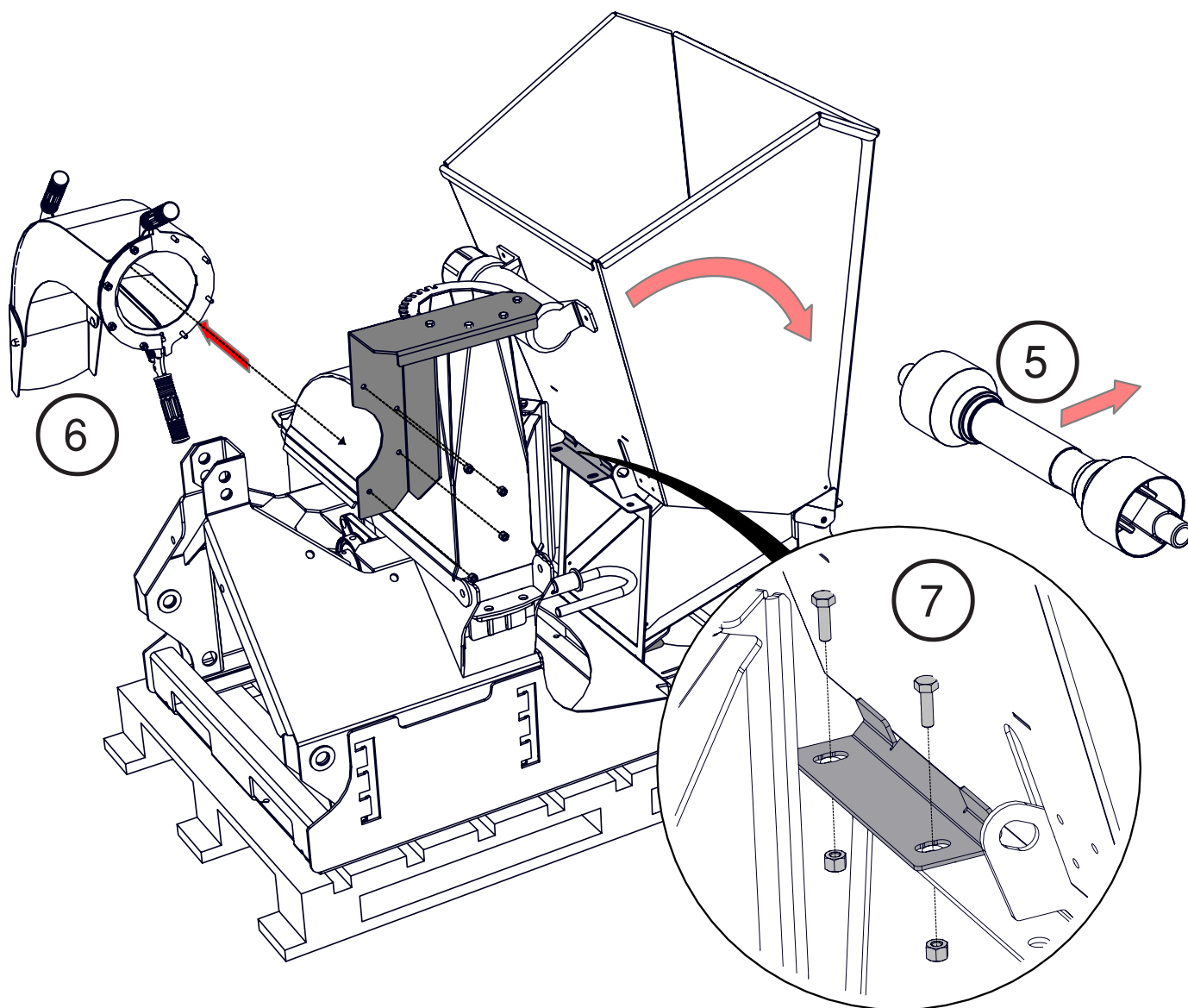
When the machine is shipped, follow this assembly procedure:

1. Clear the area of bystanders, especially small children.
2. Be sure you have all the required tools before you start.
3. Move the shipping package into an area where it is accessible from all sides.
4. Remove the screws holding the lid to the shipping pallet, remove the lid and set aside away from the assembly area.
5. Remove all screws that secure the main chipper body to the skid

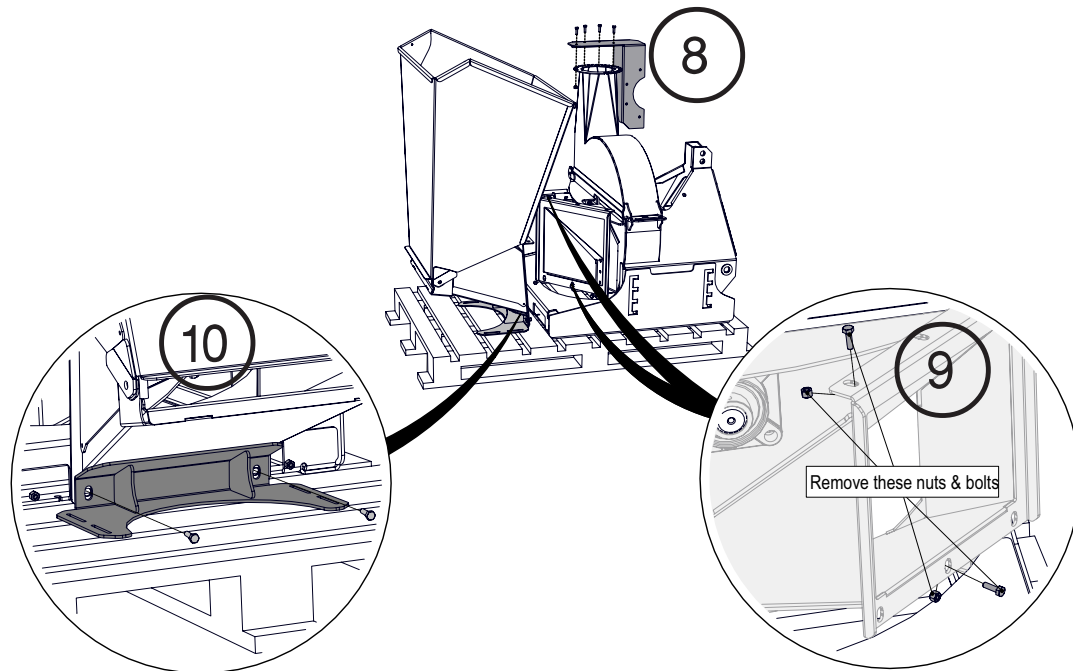


⚠ Caution: Heavy or bulky parts: prevent potential injury ask for help when lifting or moving heavy, bulky parts.

6. Remove the PTO shaft from the skid and place in a safe area
7. While some one is holding the discharge chute:
 - carefully remove the 4 nuts & bolts that hold the discharge chute to the shipping bracket. (this hardware is not needed and can be discarded)
 - Set the discharge chute aside in a save place for later assembly
 - keep the spacer and hood capture rings with the discharge chute assembly
8. Next while some one is steadying the hopper assembly:
 - carefully remove the two bolts that hold the hopper shipping bracket, (keep this hardware, it is needed to mound the hopper to the chipper body)
 - release the folded hopper spring latch, tilt the hopper forward slightly and remove the hopper shipping bracket

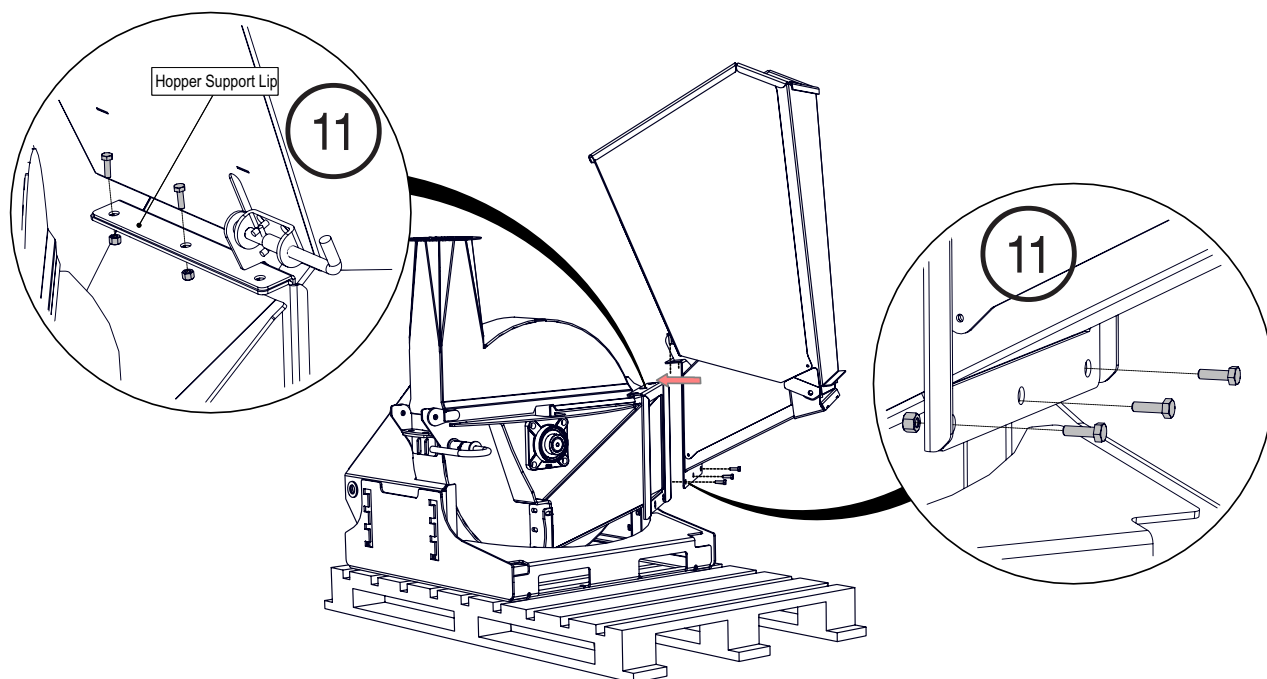


9. Remove the remaining 4 nuts and bolts on the chute shipping bracket, remove and discard the bracket, keep the hardware, (it is required to mount the chute to the chipper body) but the hardware with the other chute nuts and bolts.
10. Remove the 2 x nuts and bolts that are stored on the flange of the chipper hopper opening, keep the hardware, it is needed to mount the hopper to the chipper body.
11. While a helper is holding the hopper assembly in place, carefully remove the two bolts that hold the hopper to the shipping bracket (keep this hardware, it is needed to mound the hopper to the chipper body).



12. With the aid of the helper,

- move the hopper to the chipper hopper opening and place the hopper assembly on the hopper support lip.
- insert and fasten the 2 x nuts and bolts on the top flange.
- insert and fasten the 3 x nuts and bolts on the bottom flange.

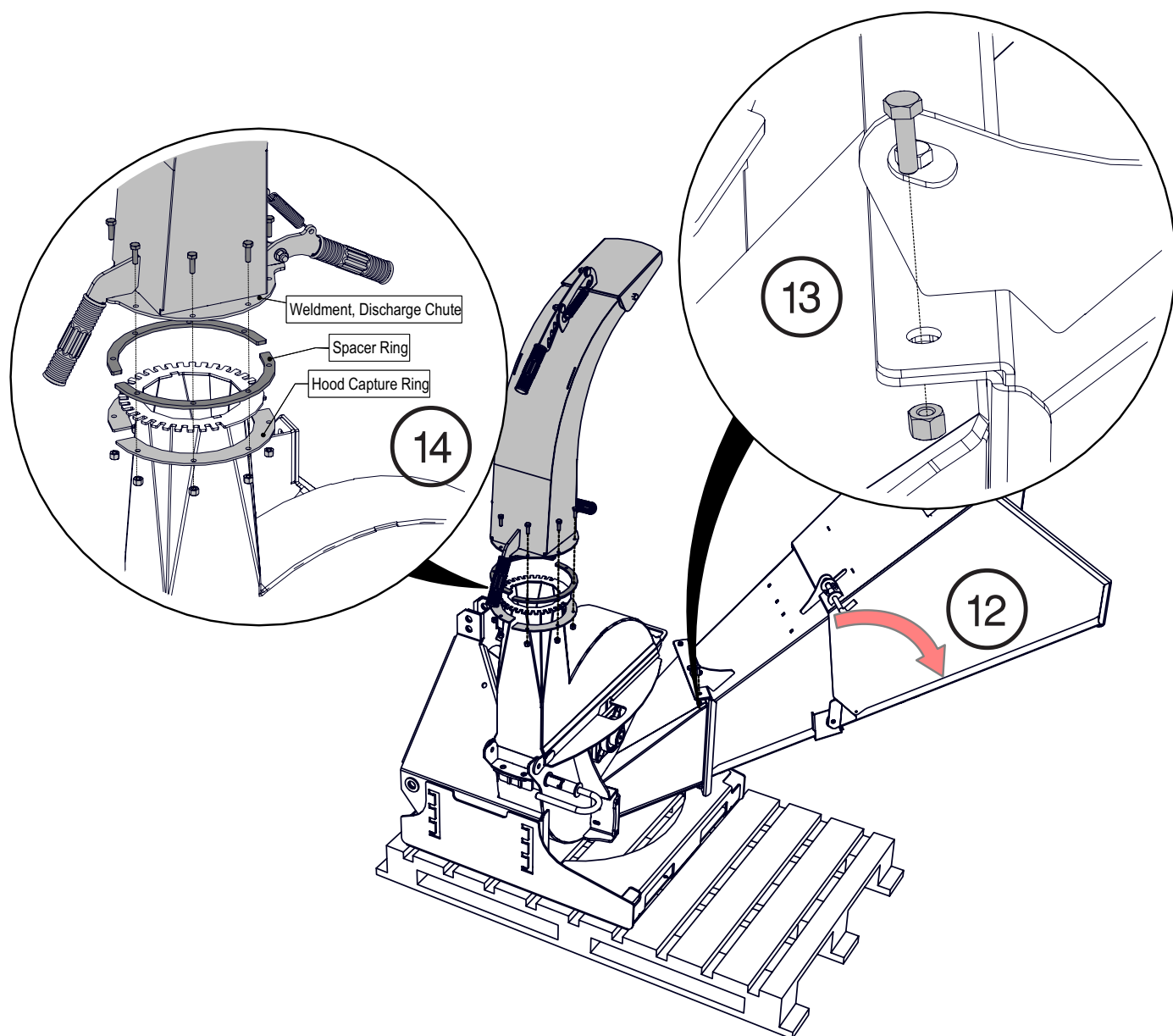


13. Release the spring latch pin and carefully fold open the hopper, engage the spring latch to lock the hopper into open position.

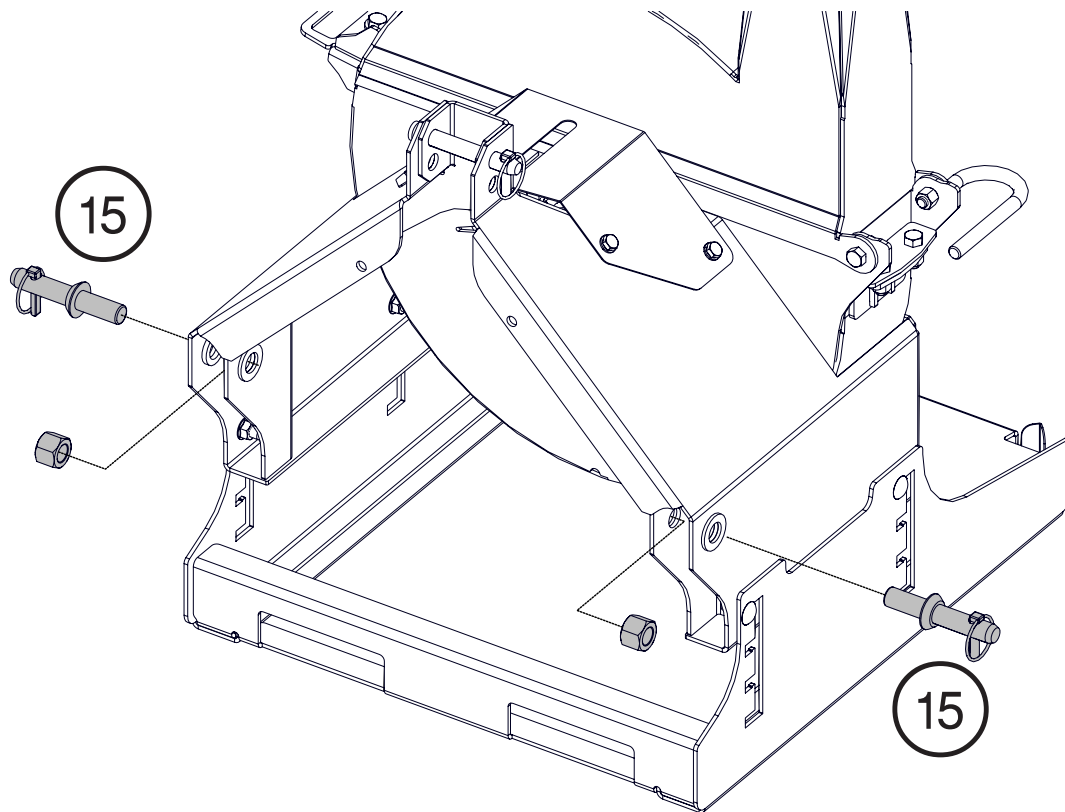
14. Insert and fasten the remaining nut and bolt for the hopper.

15. Chute assembly:

- Remove the spacer and capture rings from the chute flange: remove the remaining 4 x nuts and bolts and put them with the other chute hardware (you should have 8 sets of nuts & bolts)
- Place the capture ring with the matching ring previously removed
- Take the spacer rings and set them on top of the hood ring.
- With a helper set the discharge chute assembly on top of the spacer rings
- While the helper is holding the chute in position, bolt on the capture rings with the chute nuts & bolts
- fasten down the nuts & bolts and ensure the chute moves freely and locks into position



16. Finally, install the implement pins into the mounting holes on the chipper body



Congratulations on
successfully completing assembly of the
BX52S Woodchipper

✓	Pre-Delivery Inspection
	Inspect for damage from shipping, immediately contact the shipping company if damage is found.
BX "S" SERIES 3PH Wood Chipper	
	Check Blade Clearance & Rotor Turns Freely
	Discharge & Deflector Moves Freely
	Fasteners Tight
	Lock Pins Align & Move Freely
	Grease Zerks / Lubricate Pivot Points
	Review Operating and Safety Instructions
Safety Checks	
	All Safety Decals Installed
	Guards and Shields Installed and Secured
	Check SMV Installed
	Retainer Installed Through Hitch Points
	Review Operating and Safety Instructions



Refer to the operators
manual for safe
operation and
maintenance