



Electric Wood Chipper/Shredder

Model No. CJ601E

Form No. SJ-CJ601E-880E

A Division of Snow Joe, LLC

OPERATOR'S MANUAL

IMPORTANT!

Safety Instructions

All Operators Must Read These Instructions Before Use

Always follow these safety guidelines. Failure to do so may result in serious bodily injury or death.

Safety Precautions

TO REDUCE RISK OF INJURY: Before any use be sure everyone using this product reads and understands all safety instructions and other information contained in this manual.

⚠ WARNING! Wear appropriate personal hearing protection during use. Under some conditions and duration of use, noise from this product may contribute to hearing loss.

⚠ WARNING! When using electric gardening appliances, basic safety precautions should always be followed to reduce risk of fire, electric shock, and/or personal injury.

Save these instructions and review frequently prior to use and in instructing others.

General Safety

- **AVOID DANGEROUS ENVIRONMENTS** – Don't use this product in rainy, stormy, damp or wet locations. Do not operate in gaseous or explosive atmospheres. Motors in these products normally spark, and the sparks might ignite fumes.
- **DRESS PROPERLY** – Don't wear loose clothing or jewelry and wear protective hair covering to contain long hair. They can be caught in moving parts. Use of rubber gloves and substantial footwear is recommended when working outdoors.
- **USE SAFETY GLASSES** – Wear safety glasses with side shields or goggles that are marked to comply with ANSI Z87.1 standard when operating this product.
- **USE DUST MASK** – Wear face or dust mask when operating this product.
- **USE HEARING PROTECTION** – Wear ear plugs or muffs when operating this product.
- **GROUND FAULT CIRCUIT INTERRUPTER** – (GFCI) protection should be provided on the circuit(s) or outlet(s) to be used for this product if you are using an extension cord. Receptacles are available having built-in GFCI protection and may be used.

- **DOUBLE INSULATION** – This product has double insulation. This means that all external metal parts are insulated from the electrical supply. This is achieved by introducing an insulation layer between electrical and mechanical parts. The double insulation guarantees you the greatest possible safety.
- **EXTENSION CORD** – Make sure your extension cord is in good condition. Use only extension cords having an electrical rating not less than the rating of the product. An undersized extension cord will cause a drop in line voltage resulting in loss of power and overheating.
- **POLARIZED PLUGS** – To reduce the risk of electric shock, this product has a polarized plug (one blade is wider than the other). This product must be used with a suitable polarized extension cord. Polarized connections will fit together only one way. Make sure that the receptacle end of the extension cord has large and small blade slot widths. If the plug does not fit fully into the extension cord, reverse the plug. If it still does not fit, obtain a suitable extension cord. Do not change the tool plug or extension cord in any way.

⚠ WARNING: Use outdoor extension cords marked SW-A, SOW-A, STW-A, STOW-A, SJW-A, SJTW-A, or SJTOWA. These cords are rated for outdoor use and reduce the risk of electric shock.

- **DISCONNECT UNIT** from the power supply when not in use or when servicing or cleaning. Do not leave unattended.
- **DON'T ABUSE CORD** – Never carry or pull this product by the cord or yank the cord to disconnect from the receptacle. Keep cord from heat, oil, and sharp edges.
- **STAY ALERT** – Watch what you are doing. Use common sense. Do not operate the garden shredder when you are tired or under the influence of drugs or medication.
- **STORE IDLE UNIT INDOORS** – When not in use, the garden shredder should be stored indoors in a dry and high or locked-up place, out of children's reach.
- **MAINTAIN UNIT WITH CARE** – Keep clean for best performance and to reduce the risk of injury. Inspect extension cord periodically and replace if damaged. Keep handles dry, clean and free from oil and grease.
- **CHECK FOR DAMAGED PARTS** – Before further use of the product, any part that is damaged should be carefully checked to determine that it will operate properly and perform its intended function. Check for alignment of moving parts, binding of moving parts, breakage of parts, mounting and any other condition that may affect its operation. Any part that is damaged should be properly repaired or replaced. Call our customer service help line for assistance at 1-866-766-9563 for assistance.

- **LIGHTING** – Only operate your garden shredder in daylight or good artificial light.
- **DON'T OVERREACH** – Keep proper footing and balance at all times. Wear oil resistant rubber soled footwear.
- Never leave a running tool unattended. Turn the garden shredder off and wait until it comes to a complete stop before leaving the work area.
- Avoid accidental start-ups. Make sure switch is in off position before plugging in the power cord.
- **USE RIGHT APPLIANCE** – Do not use this product for any job except that for which it is intended.
- **KEEP CHILDREN AWAY** – All visitors, children and pets should stay at a safe distance from the work area.

⚠ WARNING: Some dust and debris created by the use of this tool could contain chemicals known to the State of California to cause cancer and birth defects or other reproductive harm.

Some examples of these chemicals are:

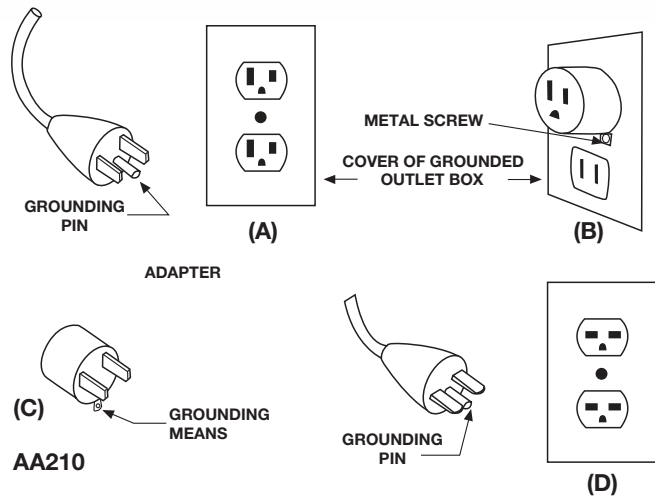
- chemicals in fertilizers
- compounds in insecticides, herbicides and pesticides
- arsenic and chromium from chemically treated lumber

Your risk from exposure to these chemicals varies depending on how often you do this type of work. To reduce your exposure, work in a well-ventilated area and with approved safety equipment, such as dust masks that are specifically designed to filter out microscopic particles.

⚠ WARNING: The wires of this product could contain chemicals known to the State of California to cause cancer and birth defects or reproductive harm. Wash hands after handling.

Electrical Safety

1. Always check that the power supply corresponds to the voltage on the rating plate.
2. Do not operate in an area where there is a possibility of body contact with grounded items (i.e.: pipes, metal structures). Avoid contact with metal objects.
3. Do not pull/yank the power cord. Keep the power cord away from hot surfaces and sharp objects.
4. Always use a grounded three-wire extension cord and receptacle that are made of rubber and intended for outdoor use. The machine is designed to operate on 120 Volt AC household current. The chipper power cord has a grounding prong. To avoid the possibility of shock it must always be used with a properly grounded three-prong receptacle protected with a 20A fuse. Never remove the ground prong from the plug.



GROUNDING METHOD

Note: If necessary, the machine can be switched to a single-phase network (120V/60Hz). Connect the main leads to a standard 120V/60Hz electrical supply which has protection devices of under-voltage, over-voltage, over-current as well as a residual current device (RCD) with a maximum residual current rated at 30mA. Only a qualified electrician should only do this.

5. Do not operate the machine where water is present (i.e.: rain, sprinkler, puddles).
6. Do not touch electrical plugs with wet hands.
7. Keep the extension cord away from the moving parts and hot motor housing.
8. Immediately replace and dispose of damaged wires and plugs.
9. Do not open the switch box on the motor. If service is necessary take the machine to a qualified electrician.
10. Ground Fault Circuit Interrupter (GFCI) protection should be provided on the circuit(s) or outlet(s) to be used for the gardening appliance. Receptacles are available having built-in GFCI protection and may be used for this measure of safety.
11. **Warning** – Use outdoor extension cords marked SW-A, SOW-A, STW-A, STOW-A, SJW-A, SJTW-A, or SJTOW-A. These cords are rated for outdoor use and reduce the risk of electric shock.
Exception: Types SW, SOW, STW, STOW, SJW, SJOW, SJTW, and SJTOW are alternative designations to Types SW-A, SOW-A, STW-A, STOW-A, SJW-A, SJOW-A, SJTW-A, and SJTOW-A, respectfully.
12. **Extension Cord** – Make sure your extension cord is in good condition. When using an extension cord, be sure to use one heavy enough to carry the current your product

will draw. An undersized extension cord will cause a drop in line voltage resulting in loss of power and overheating. Table 1 shows the correct size to use depending on cord length and nameplate ampere rating. If in doubt, use the next heavier gauge. The smaller the gauge number, the heavier the cord. To reduce the risk of disconnection of appliance cord from the extension cord during operating:

Minimum Gauge For Extension Cords

Volts	Total length of cord in feet			
	25	50	100	150
120V				
Ampere Rating More than Not more than	AWG			
0 – 6	18	16	16	14
6 – 10	18	16	14	12
10 – 12	16	16	Not Recommended	

NOTE – Only the applicable parts of the Table need to be included. For instance, a 120-volt product need not include the 240-volt heading.

Table 1

- i) Make a knot as shown in Figure 1 or
- ii) Use one of the plug-receptacle retaining straps or connectors described in this manual.

Method of securing extension cord

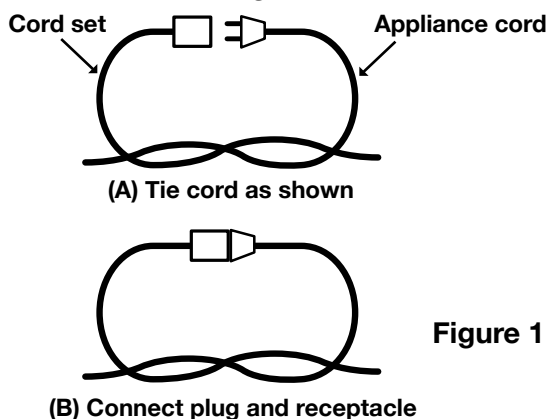


Figure 1

- 13. **Avoid Unintentional Starting** – Don't carry plugged-in appliance with finger on switch. Be sure switch is off when plugging in.
- 14. **Don't Abuse Cord** – Never carry appliance by cord or yank it to disconnect from receptacle. Keep cord from heat, oil, and sharp edges.
- 15. **Don't Force Appliance** – It will do the job better and with less likelihood of a risk of injury at the rate for which it was designed.

- 16. **Don't Overreach** – Keep proper footing and balance at all times.
- 17. **Stay Alert** – Watch what you are doing. Use common sense. Do not operate appliance when you are tired.
- 18. **Disconnect Appliance** – Disconnect the appliance from the power supply when not in use, before servicing, and when changing accessories.
- 19. **Store Idle Appliances Indoors** – When not in use, appliances should be stored indoors in dry, and high or locked-up place – out of reach of children.
- 20. **Maintain Appliance With Care** – Keep cutting edge sharp and clean for best performance and to reduce the risk of injury. Follow instructions for lubricating and changing accessories. Inspect extension cords periodically and replace if damaged, have it repaired by an authorized service facility. Keep handles dry, clean, and free from oil and grease.
- 21. **Check Damaged Parts** – Before further use of the appliance, a guard or other part that is damaged should be carefully checked to determine that it will operate properly and perform its intended function. Check for alignment of moving parts, binding of moving parts, breakage of parts, mounting, and any other condition that may affect its operation. A guard or other part that is damaged should be properly repaired or replaced by an authorized service center unless indicated elsewhere in this manual.

Personal Safety

- Stay alert, watch what you are doing and use common sense when operating a power tool. Do not use a power tool while you are tired or under the influence of drugs, alcohol or medication. A moment of inattention while operating power tools may result in serious personal injury.
- Use personal protective equipment. Always wear eye protection. Protective equipment such as dust mask, non-skid safety shoes, hard hat, or hearing protection used for appropriate conditions will reduce personal injuries.
- Prevent unintentional starting. Ensure the switch is in the OFF-position before connecting to power source and/or battery pack. Picking up or carrying the tool: carrying power tools with your finger on the switch invites accidents.
- Remove any adjusting key or wrench before turning the power tool on. A wrench or a key left attached to a rotating part of the power tool may result in personal injury.
- Do not overreach. Keep proper footing and balance at all times. This enables better control of the power tool in unexpected situations.
- Dress properly. Do not wear loose clothing or jewelry, keep your hair clothing and gloves away from moving parts,

loose clothes, jewelry or long hair can be caught in moving parts.

- If devices are provided for the connection of dust extraction and collection facilities, ensure these are connected and properly used. Use of dust collection can reduce dust-related hazards.

Operating Tips

1. Before starting the garden shredder, make sure that the hopper inlet is empty.
2. Keep your face and body away from the opening.
3. Do not allow hands or any other part of the body or clothing near the hopper or discharge chute.
4. Never put your hands into the hopper while the garden shredder is running. Always use the paddle supplied with your shredder to push items into the hopper.
5. Do not try to force objects larger than the recommended diameter of 1-1/2" into the hopper.
6. Keep proper balance and footing at all times. Do not overreach. Never stand at a higher level than the base of the tool when feeding material into garden shredder.
7. Always stand clear of the discharge zone when operating the garden shredder. Never reach under the shredder until it has come to a complete stop.
8. When feeding material into the garden shredder be careful to remove pieces of metal, rocks, bottles, cans or other foreign objects that may damage the blades.
9. If the cutting mechanism strikes a foreign object or if the garden shredder should start making any unusual noise or vibration, turn it off and allow it to come to a complete stop. Disconnect from power supply and take the following steps:
 - Inspect for damage;
 - Check for and tighten any loose parts.

⚠ WARNING: Never reach into the hopper until the garden shredder has come to a complete stop and is unplugged. The blades will continue to rotate for a few seconds after the shredder is turned off.

10. Do not allow processed material to build up in the discharge zone; this may prevent proper discharge and can result in kickback of material through the hopper.

⚠ WARNING: Never put your hands near the discharge chute. Failure to heed the warning could result in serious injury.

11. If the shredder becomes clogged, turn it OFF and disconnect from power supply before clearing debris. Keep the power source clear of debris and other accumulations to prevent damage to the power source.

Remember that the starting mechanism on engine powered tools will cause the cutting mechanism to move.





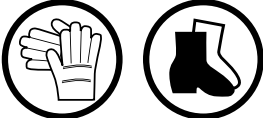

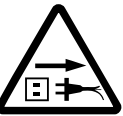



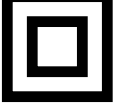
12. Keep all guards and deflectors in place and in good working condition.
13. Do not operate the garden shredder on a paved or gravel surface where ejected material could cause injury.
14. Turn off the garden shredder and disconnect it from the power supply whenever you leave the work area.
15. Do not tilt the garden shredder while it is running.
16. Never reach into the hopper until the garden shredder has come to a complete stop and has been disconnected from the power supply.

Service

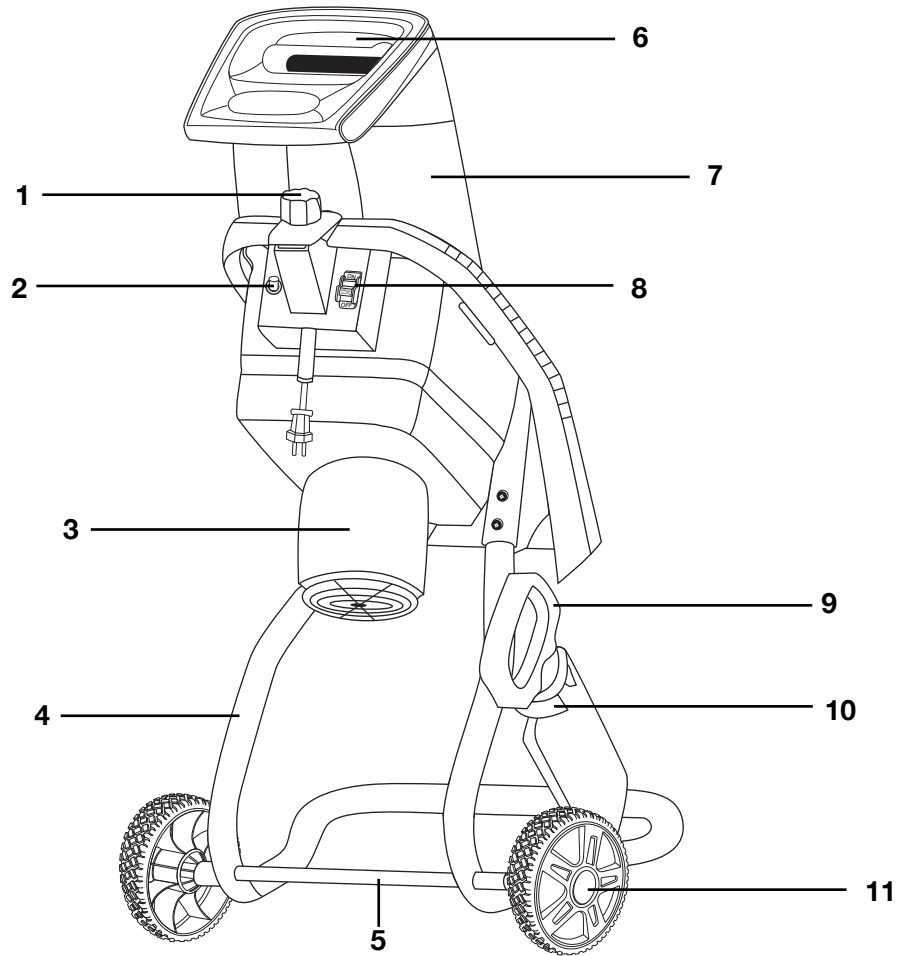
Your power tool should be serviced by a qualified repair person using only identical replacement parts. This will ensure that the safety of the power tool is maintained.

Safety Symbols

The following table depicts and describes safety symbols that may appear on this product. Read, understand, and follow all instructions on the machine before attempting to assemble and operate.

Symbol	Description
	SAFETY ALERT
	READ THE OPERATOR'S MANUAL(S) Read, understand and follow all instructions in the manual(s) before attempting to assemble and operate.
	Do not use in wet weather conditions.
	Wear eye protection, dust mask protection, and ear protection.
	Wear protective gloves when using the machine and handling debris. Wear foot protection.
	DANGER! Rotating blades. Keep hands and feet out of openings while garden shredder is running.
	SWITCH OFF! Remove plug from outlet immediately if the cord is damaged or cut.
	SWITCH OFF! Remove plug from outlet before cleaning or maintenance.
	DANGER! Of being hit by thrown objects.
	Keep bystanders at a safe distance.
	Double Insulation

Know Your Electric Wood Chipper/Shredder



- 1. Hopper Locking Knob
- 2. Reset Button
- 3. Motor
- 4. Stand Assembly
- 5. Axle
- 6. Hopper

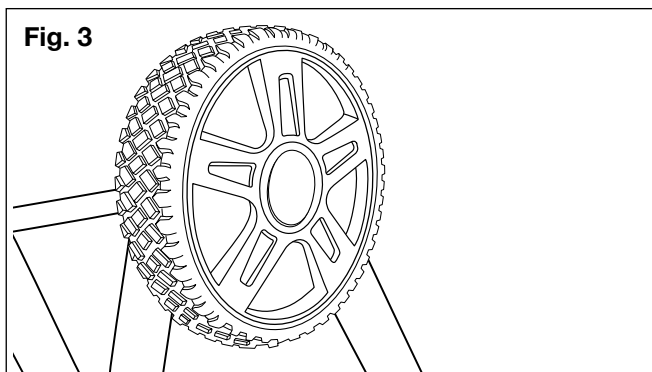
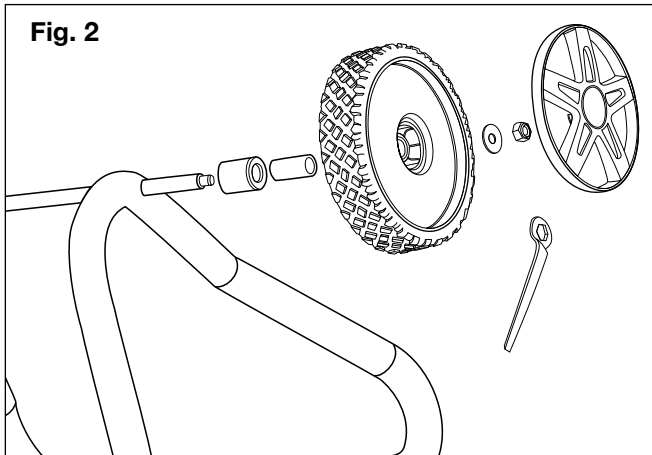
- 7. Main Body
- 8. Power On/Off Trigger Switch
- 9. Paddle
- 10. Paddle Holder
- 11. Wheels (two)

Technical Data

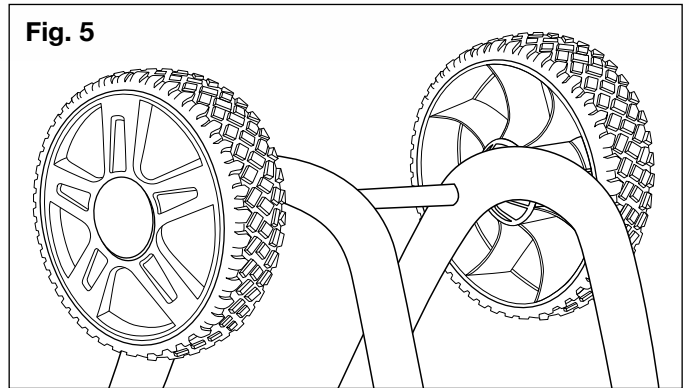
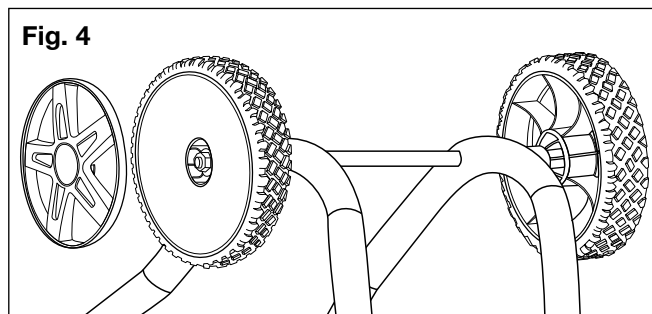
Rated voltage	120V AC 60Hz 14A
No Load Speed	4,300/RPM
Max. Cutting Diameter	1½-IN
Weight	25.4 lb (11.52 kg)

Assembly

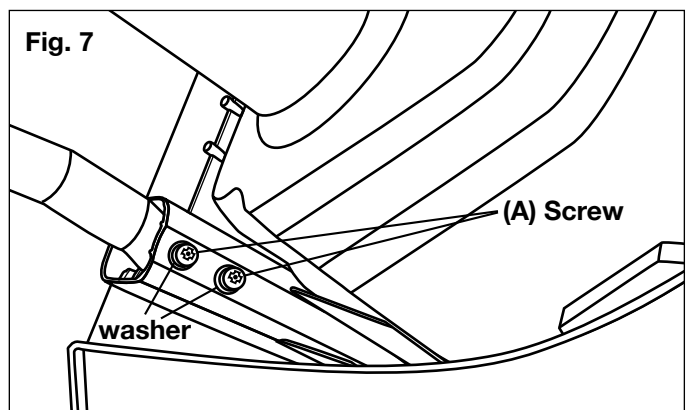
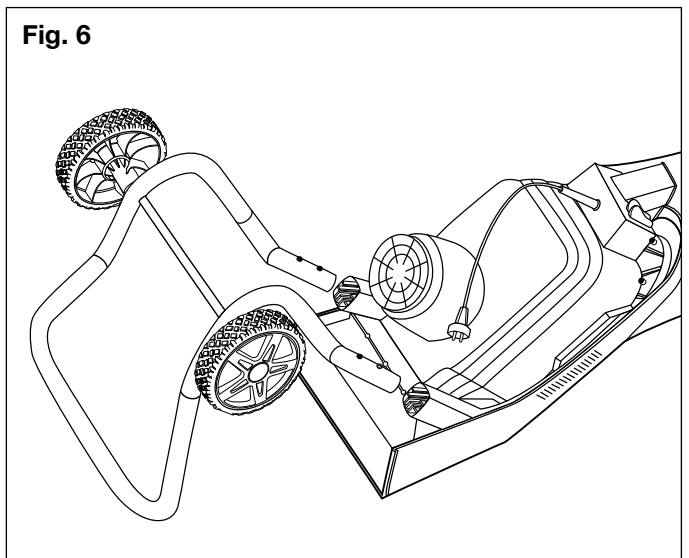
1. Remove all parts from package.
2. Check all the parts against the list in the manual. If any parts are damaged or missing do not use the wood chipper/shredder until the part is repaired or replaced. Call our customer service help line at 1-866-766-9563 for assistance.
3. Assemble the wheel axle to the stand assembly; put the spacer onto the axle; insert the wheels on the axle, then attach washer and lock nut to the axle with the supplied wrench to secure. (Fig. 2 and Fig. 3)



4. Press the wheel covers into the wheels to cover the ends of the axles. You may use a hammer to seat them securely over the axles. There may be some clearance between the wheel and the wheel cover, it is not necessary to press it to the bottom. (Fig. 4 and Fig. 5)



5. Turn the main body upside down, insert the two ends of the stand assembly into the housing, align the holes on the housing and stand assembly, insert the four washers onto the screws (A) and install into the stand assembly. (Fig. 6 and Fig. 7)



Operation

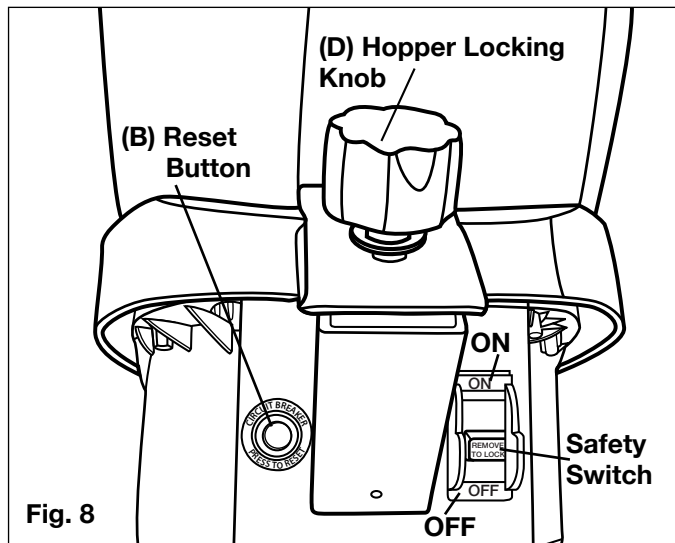
Starting (Fig. 8)

Make sure the switch is in the OFF position. Plug the garden shredder into a suitable outlet using an approved extension cord if necessary. Push the ON/OFF switch to "ON" to turn the garden shredder on.

Stopping (Fig. 8)

Push the ON/OFF switch to "OFF" to turn the garden shredder off.

CAUTION: The garden shredder will not operate if the hopper locking knob is loose.



Overload Protection (Fig. 8)

Your garden shredder is designed with overload protection. If the shredder is clogged during shredding, the overload protection will cut the power automatically to protect your shredder. Wait at least 1 minute before restarting by first pressing the reset button (B) and then the ON/OFF switch.

Hopper Locking Knob (Fig. 8)

The garden shredder is fitted with a safety interlock switch on the closure between the hopper and main body. The switch is activated when the hopper is securely closed and tightened by the hopper locking knob. When the hopper is opened or not fitted well, the shredder will not run. Always tighten the hopper locking knob (D) by turning it clockwise before operation.

Safety Switch (Remove To Lock Fig. 8)

As a safety precaution, the safety switch may be removed when you are not using the shredder to prevent children from

starting it accidentally (See Fig. 8). The shredder cannot be started when the safety switch is removed.

Blades

The blades on the rotary plate are reversible. For quality and safety reasons, we recommend that only identical replacement blades be used should it become necessary to replace them.

Shredding Material

⚠ WARNING! Before starting, ensure that the feed inlet is empty.

⚠ WARNING! Always wear ear and eye protection and wear gloves during operation.

⚠ CAUTION! Longer material standing out from the shredder could lash out when being pulled in by the blades. Keep a safe distance.

⚠ CAUTION! When using the garden shredder and feeding branches into the shredder, sometimes the blades pull the material into the opening. Keep hands at a safe distance.

⚠ CAUTION! The ventilation slots must not be covered.

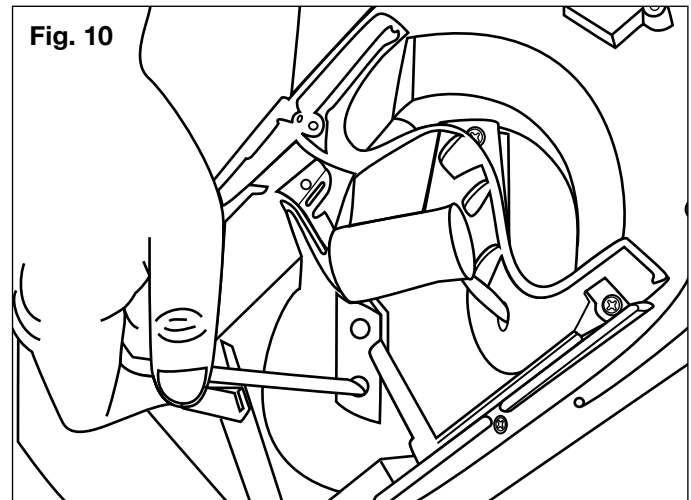
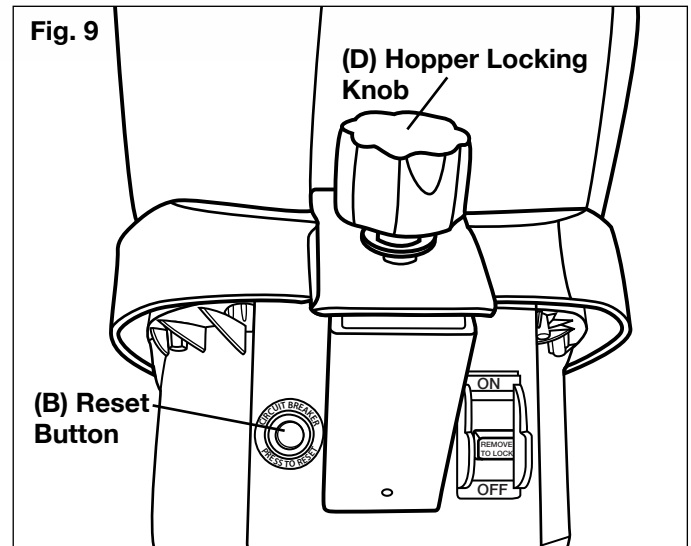
1. Only insert as much material as to prevent blockage of the feeding funnel. Chop garden waste that has been stored for a few days and is wilted and damp alternately with dry branches. This prevents the cutting blades from blocking up. Widely branched material with leaves must be completely chopped before new material is fed. Make sure that the chopped material can fall freely from the ejection slot.
2. Keep hold of branches while feeding them into the garden shredder until they are automatically drawn in.
3. Keep to the working speed of the garden shredder and do not overload it.
4. To protect the garden shredder from clogging, shred wilted garden waste that has been left for a few days and shred thin twigs alternately with branches.
5. Before you shred roots, remove any remaining soil and stones from them.
6. Do not shred soft, damp material such as kitchen waste, take it straight to the compost.
7. Keep a few dry branches for the end, as they will help clean the garden shredder.
8. Only switch the garden shredder off after all of the shredding material has passed through the discharge chutes. Otherwise, the discharge chutes may jam the next time the shredder is turned on.

Maintenance

⚠ WARNING! Always turn off the garden shredder and unplug the power cord from the outlet before maintaining the shredder.

⚠ WARNING! Always wear gloves when cleaning.

1. Cleaning garden shredder: (See Fig. 9)
 - a) Unscrew the hopper locking knob (D) counter clockwise and open the hopper.
 - b) Clean cutting blades and discharge area and remove wood sticks or objects that may clog the blades.
 - c) The garden shredder has two blades that are attached to a rotary plate with two screws, (See Fig. 10). Before any maintenance or cleaning is done on the blades, always turn the switch off and disconnect the plug from the outlet.
 - d) Check blades for damage. Use only identical replacement parts if it becomes necessary to replace them.
 - e) Return the hopper to its upright position and tighten the knob before operating the garden shredder.
2. Use only a warm damp cloth and a soft brush to clean your garden shredder. Always wear safety glasses to protect your eyes during cleaning.
3. Never spray water on the garden shredder or wash it with water. Do not use detergents or solvents as these could cause irreparable damage to your shredder.
4. The fastening screws of the stand assembly should be checked from time to time. Periodically check all nuts, bolts and screws to be sure the shredder is in safe working condition.
5. Make sure the ventilation slots are always kept clean and are free of debris.
6. To protect the garden shredder from corrosion when storing for a long period, treat the cutting blade with oil.
7. Cutting blade replacement. (Fig. 9 & 10)



- a) The reversible blade is fixed to the rotary plate with two screws. Before any maintenance or cleaning of the blades, always turn the switch off and disconnect the plug from the outlet.
- b) Turn the Hopper Locking Knob (D) counterclockwise until the housing cover can be opened.
- c) Lift up the housing cover to expose the two blades.
- d) Align the slots on the board, the blade support and the main body and insert a metal rod like a screwdriver into the slots to prevent rotating when removing the blade with the supplied hex key.
- e) Remove the old blade. Either reverse the blade so the sharp edge is in the cutting position or insert a replacement blade. Use the same method to replace the other blade.
- f) Replace and tighten the two screws to secure the new blade to the support.

Troubleshooting

Problems	Possible Cause	Possible Solution
The motor does not run.	<ul style="list-style-type: none"> - Power failure/unit not plugged into a working receptacle. - The overload protection has responded. - The hopper is opened. 	<ul style="list-style-type: none"> - Check to make sure unit is plugged into a working outlet. Make sure extension cord is not damaged. - Remove any chips and press the reset button. Wait one minute before pressing the ON/OFF switch to restart the unit. - Check to make sure the hopper is secured and the lock knob is tightened.
The material to be chopped is not pulled in.	<ul style="list-style-type: none"> - The material is jammed in the feed inlet. - The cutting blade is blocked. - The discharge chute is blocked. 	<ul style="list-style-type: none"> - Disconnect the power supply and open the hopper. Pull the material from the feed inlet. Replace the hopper. - Disconnect the power supply and open the hopper. Open the blade cover. Remove the blocked material and replace the blade cover and hopper. - Disconnect the power supply and open the hopper. Open the plate of the discharge chute to clear the blocked material. Replace the plate and hopper.
Blades becomes worn.		Reverse the blades by first disconnecting the unit from the power supply. The reversible blade is fixed to the rotary plate with two screws. Align the slots on the board and the blade support, insert the end of the supplied spanner into the slots to prevent rotating when reversing the blades and use the supplied hex key to unscrew the screws. Call our customer service help line at 1-866-766-9563 for assistance or to order replacement blades.

Service and Support

If your Electric Wood Chipper/Shredder requires service or maintenance, please call 1-866-766-9563 for assistance.

Model and Serial Numbers

When contacting the company or reordering parts, you will need to provide the model and serial numbers of your product. These are found on the decal affixed to the housing or guard of your Electric Wood Chipper/Shredder. Copy these numbers into the space provided below:

Record the following numbers from the housing or handle of your new product:

Model #:

| C | J | 6 | 0 | 1 | E |

Serial #:

| | | | | | | | | | | | | | | | | | | | | |

NOTES



A Two-Year Full Warranty for residential use in the United States and Canada



General Conditions:

Snow Joe, LLC warrants this product to the original purchaser for two years against defects in material or workmanship when used for normal residential purposes. Snow Joe, LLC will repair any defect in material or workmanship, and repair or replace any defective part, subject to the conditions, limitations, and exclusions set forth herein. Such repair or parts replacement will be free from charge to the original purchaser except noted below.

The duration of the warranty applies only if the product is put to personal use around the household or residence. If the product is put to any business use, commercial or industrial, then the duration of this warranty is 90 days from the date of original purchase. If any product is rented or leased, the duration of the warranty is 90 days from the date of original purchase.

It is the owner's responsibility to perform correctly all maintenance, and minor adjustments explained in the owner's manual.

Electric Products:

To obtain a replacement electric powered unit or repair the existing electric powered unit, you must return the complete unit and postage prepaid to: Snow Joe Return Center, 86 Executive Avenue, Edison, NJ 08817.

Gasoline / Battery Products:

Limitations

- Batteries are warranted only for the period of 12 months after the date of purchase on a prorated basis. Rechargeable batteries will be replaced free from charge during the first 90 days. After the initial 90 days, batteries will be replaced at prorated cost to the customer
- Idlers, cables, and electrical components are warranted to the original purchaser for use at household or residence for a period of two years

Exclusions

- Snow Joe brand engines are covered under this warranty. All other engines and engine accessories are covered only by the engine manufacturer's warranty and are not covered by this warranty
- Parts used that are not genuine Snow Joe parts are not covered by this warranty
- Damages resulting from misuse, alteration, improper assembly, improper adjustment, neglect, or accident which requires repair is not covered under this warranty
- Belts, augers, and tines are not covered under warranty – belts, augers, and tines wear out and can be purchased at www.snowjoe.com or by calling 1-866-766-9563

Snow Joe, LLC may from time to time change the design of its products. Nothing contained in this warranty shall be construed as obligating Snow Joe, LLC to incorporate such design changes into previously manufactured products, nor shall such changes be construed as an admission that previous designs were defective.

This warranty is intended to cover product defects only. Snow Joe, LLC is not liable for indirect, incidental, or consequential damages in connection with the use of the Snow Joe Products covered by this warranty. This warranty does not cover any cost or expense incurred by the purchaser in providing substitute equipment or service during reasonable periods of malfunction or non-use of this product, while waiting for completion of repairs under this warranty. Some states do not allow exclusions of incidental or consequential damages, so the above exclusions may not apply in all states. This warranty may give you specific legal rights in your state.

**If you wish to contact Snow Joe, please direct inquiries to the:
Customer Service Department
Snow Joe Center
86 Executive Avenue
Edison, NJ 08817**

Customers who have purchased Snow Joe products exported from the United States and Canada should contact their Snow Joe Distributor (Dealer) to obtain information applicable for your country, province, or state. If for any reason, you are not satisfied with the distributor's service, or if you have difficulty obtaining warranty information, contact your Snow Joe seller. If in the event your efforts are unsatisfactory, please write to the Snow Joe Center at the above address.

If you have any questions about your product warranty, please call 1-866-SNOW-JOE or visit us online at www.snowjoe.com.